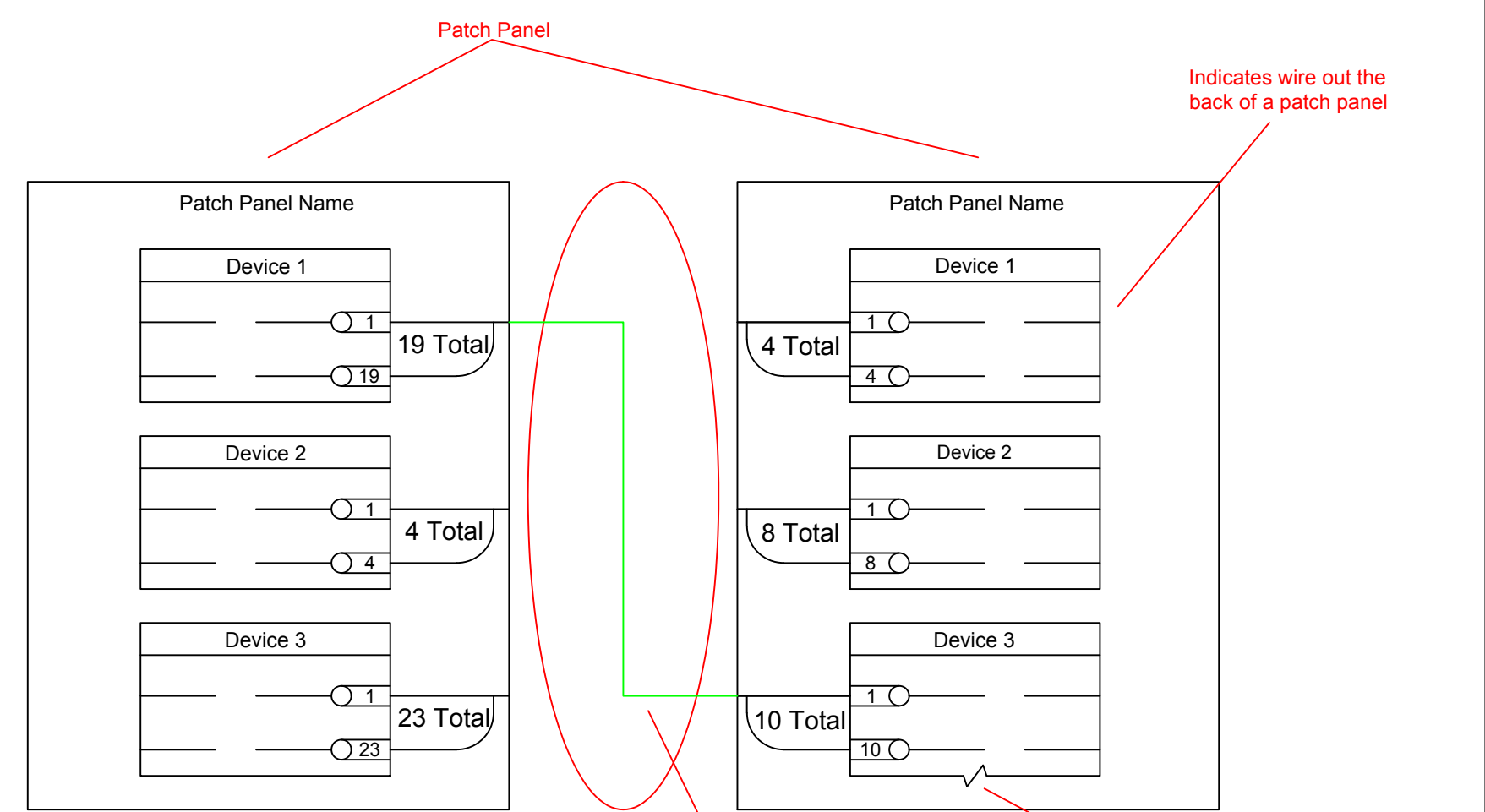
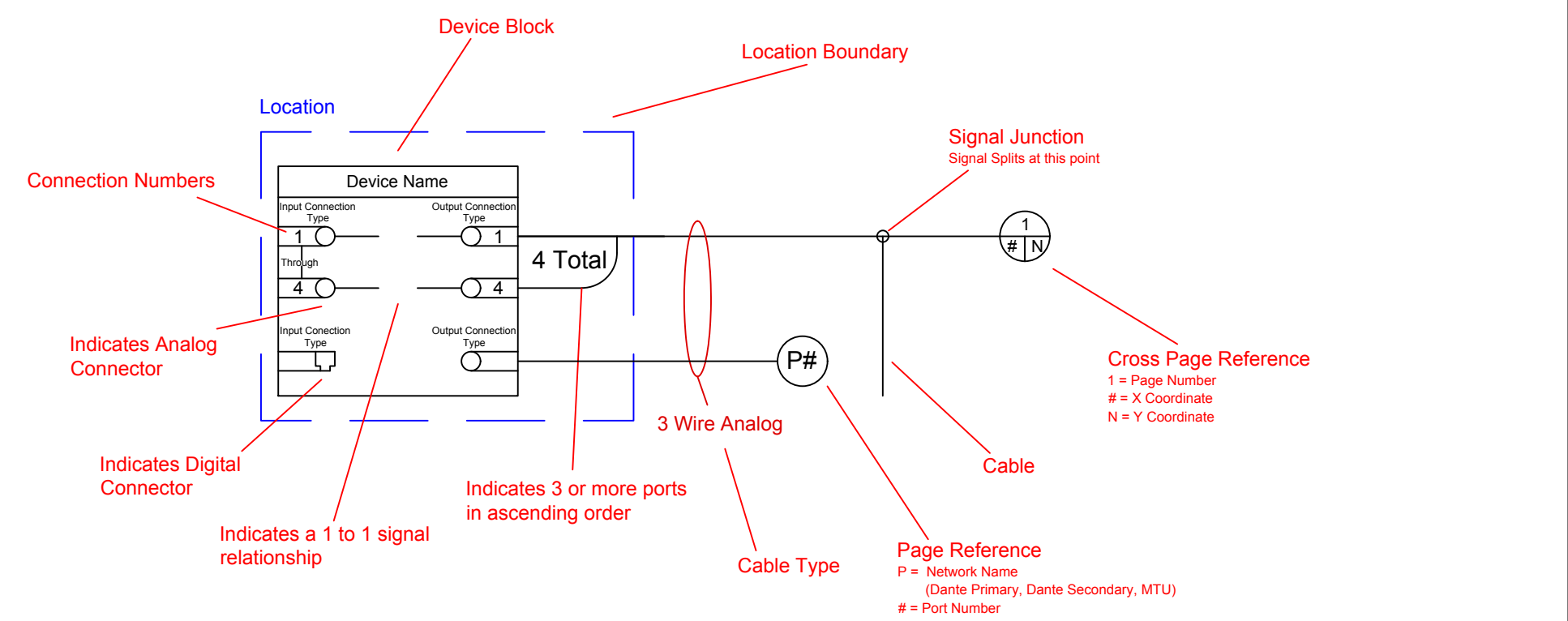


Block Diagram



Patch Panels

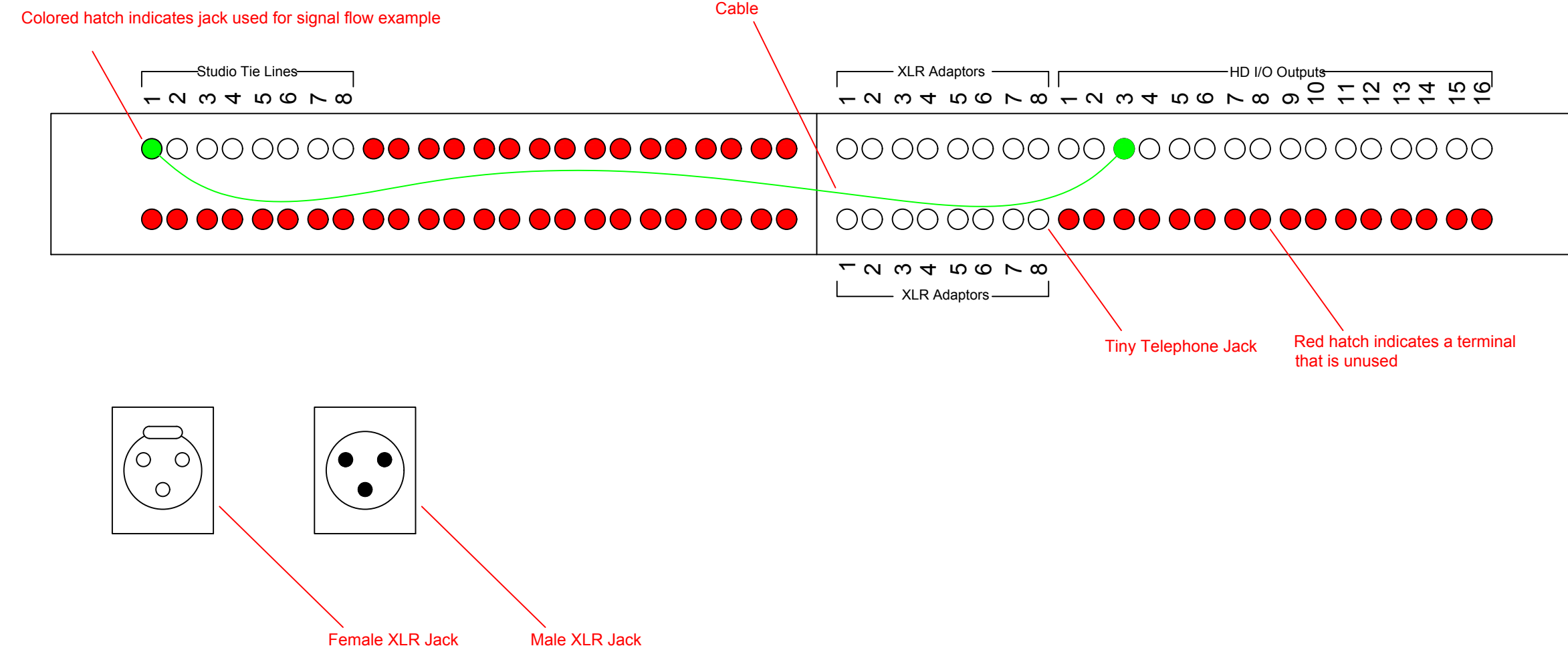


Plate Index

1. Legend
2. Analog Block Diagram
3. Digital Block Diagram
4. Patch Panels
5. Rack Drawings

Notes

1. Block diagrams & Patch Panels contain typical signal path layers that are turned off by default.

Rev #	Document Type	Page Size	Page Number
1	Legend	D	1/5
R	Title		E
	Rozsa 215 Recording Studio		
Date		Drafter	
04-28-2019		Ryan Nicklas	

1

2

3

4

5

6

7

8

9

A

A

B

B

C

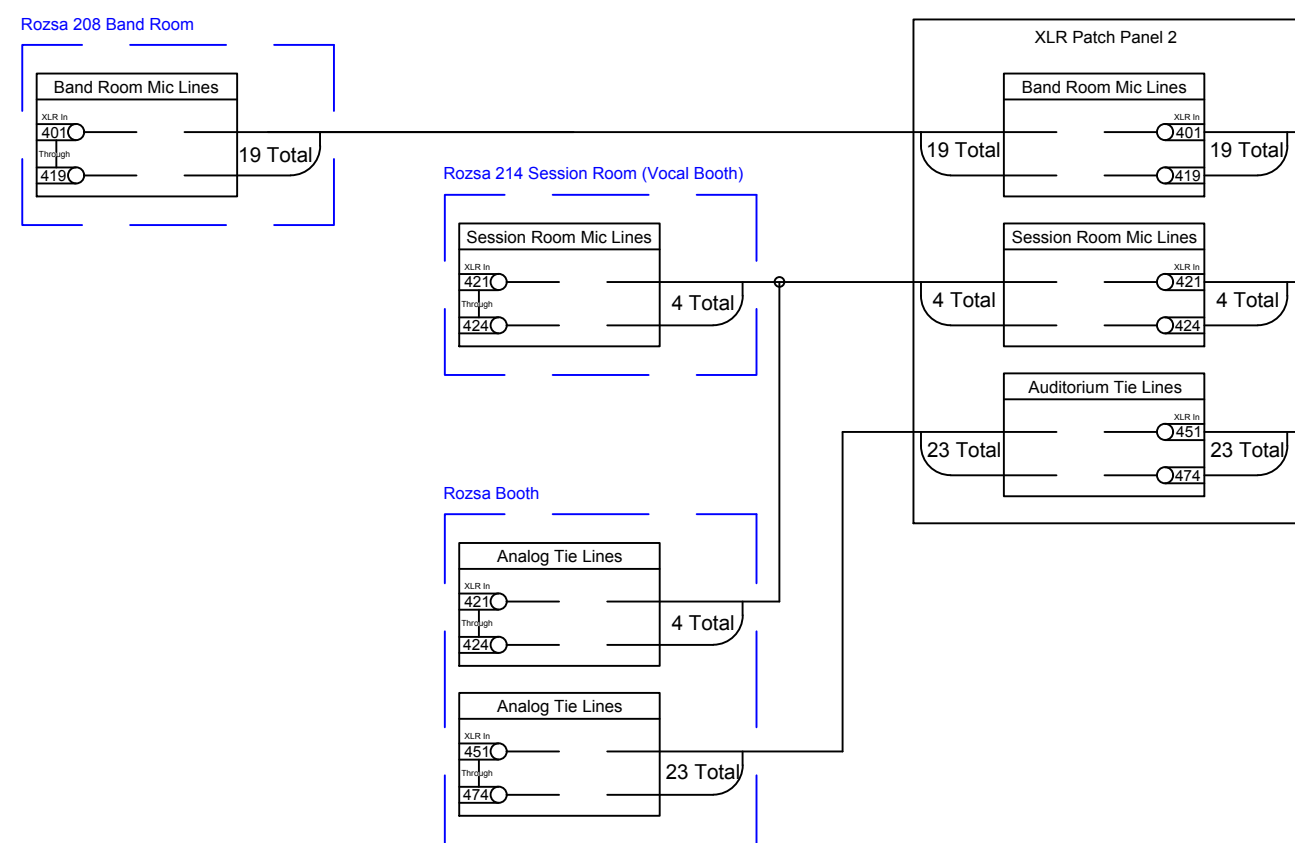
C

D

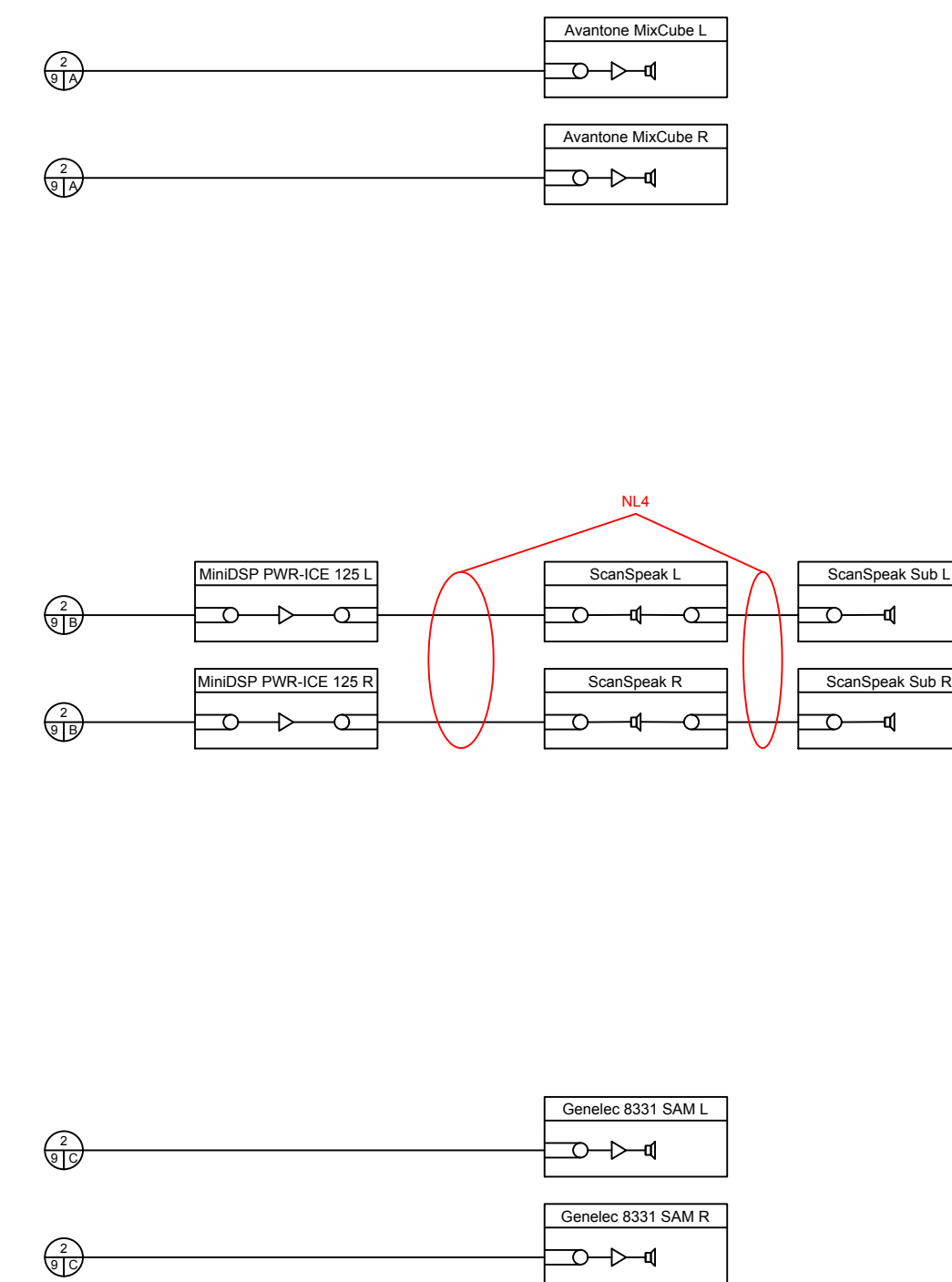
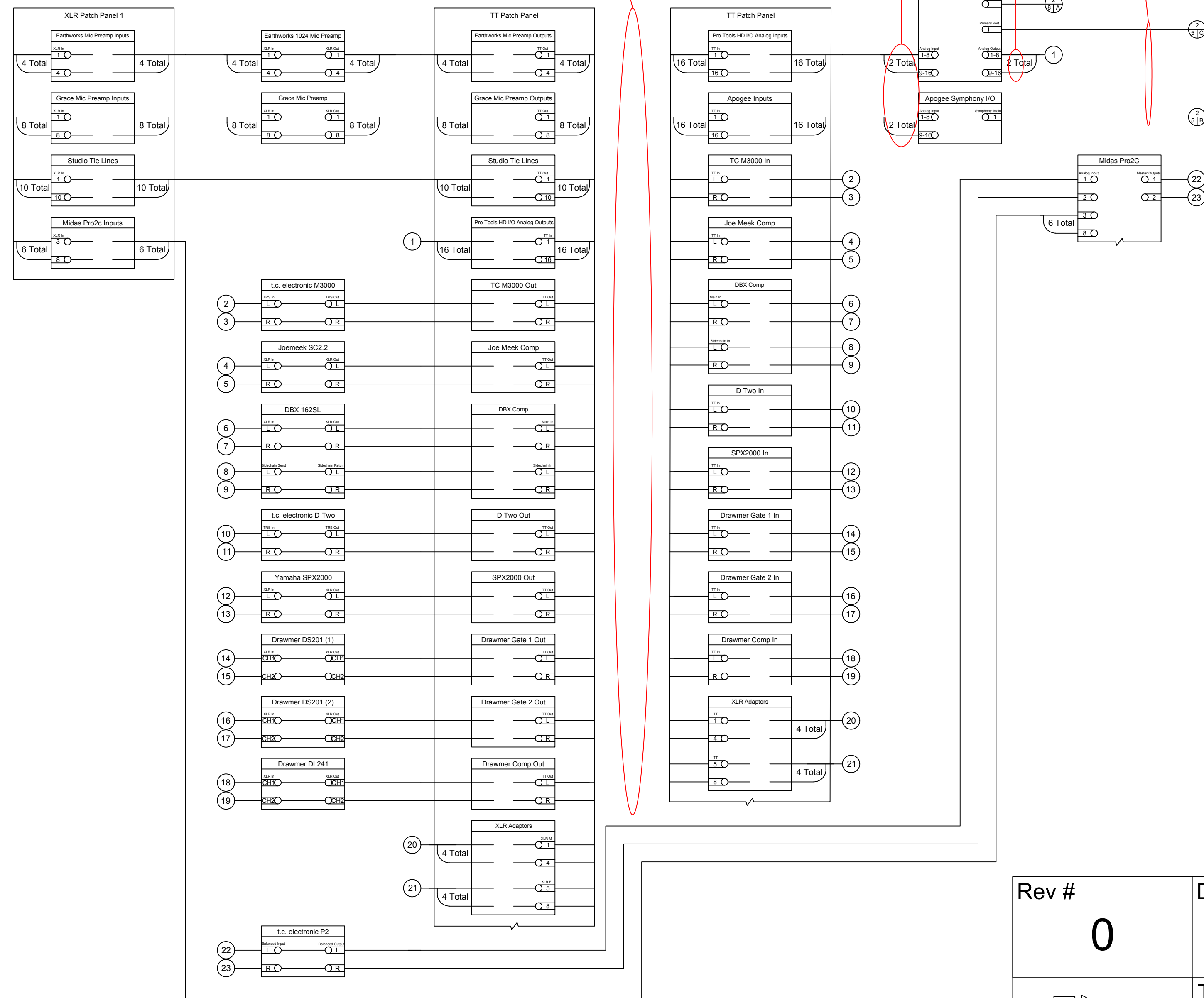
D

E

E



- Notes:
1. All connections are XLR unless specified otherwise.
 2. All signal path layers are based on the "Recording Studio Patch Panels" Document.



Rev #	Document Type	Page Size	Page Number
0	Block Diagram	D	2/5
R	Title		E
	Rozsa 215 Recording Studio		
Date		Drafter	
04-28-2019		Ryan Nicklas	

1

2

3

4

5

6

7

8

9

1

2

3

4

5

6

7

8

9

A

A

B

B

C

C

D

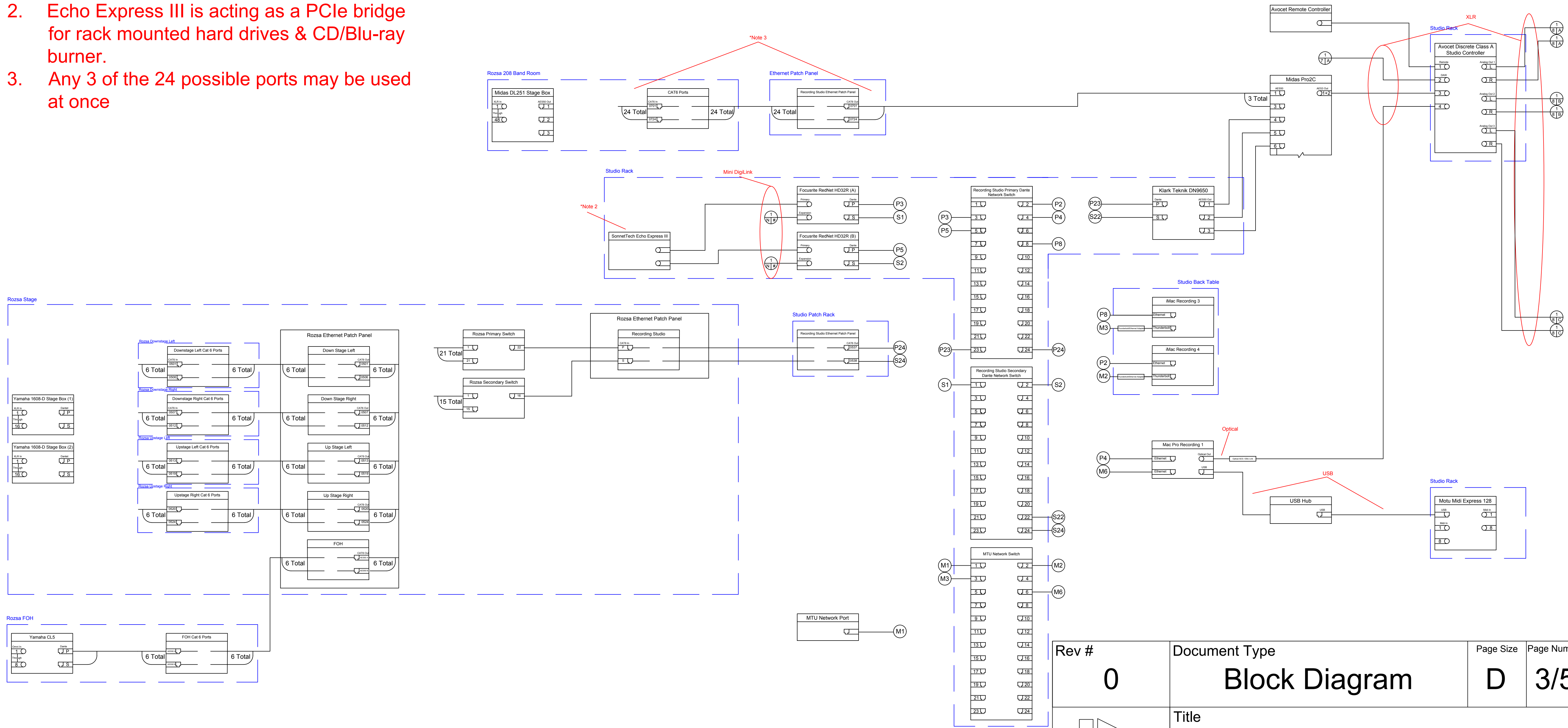
D

E

E

Notes:

- 1. All connections are CAT5 unless specified otherwise.
- 2. Echo Express III is acting as a PCIe bridge for rack mounted hard drives & CD/Blu-ray burner.
- 3. Any 3 of the 24 possible ports may be used at once



Rev #	Document Type	Page Size	Page Number
0	Block Diagram	D	3/5
Title		Rozsa 215 Recording Studio	
Date	Drafter		
04-28-2019	Ryan Nicklas		

1

2

3

4

5

6

7

8

9

A

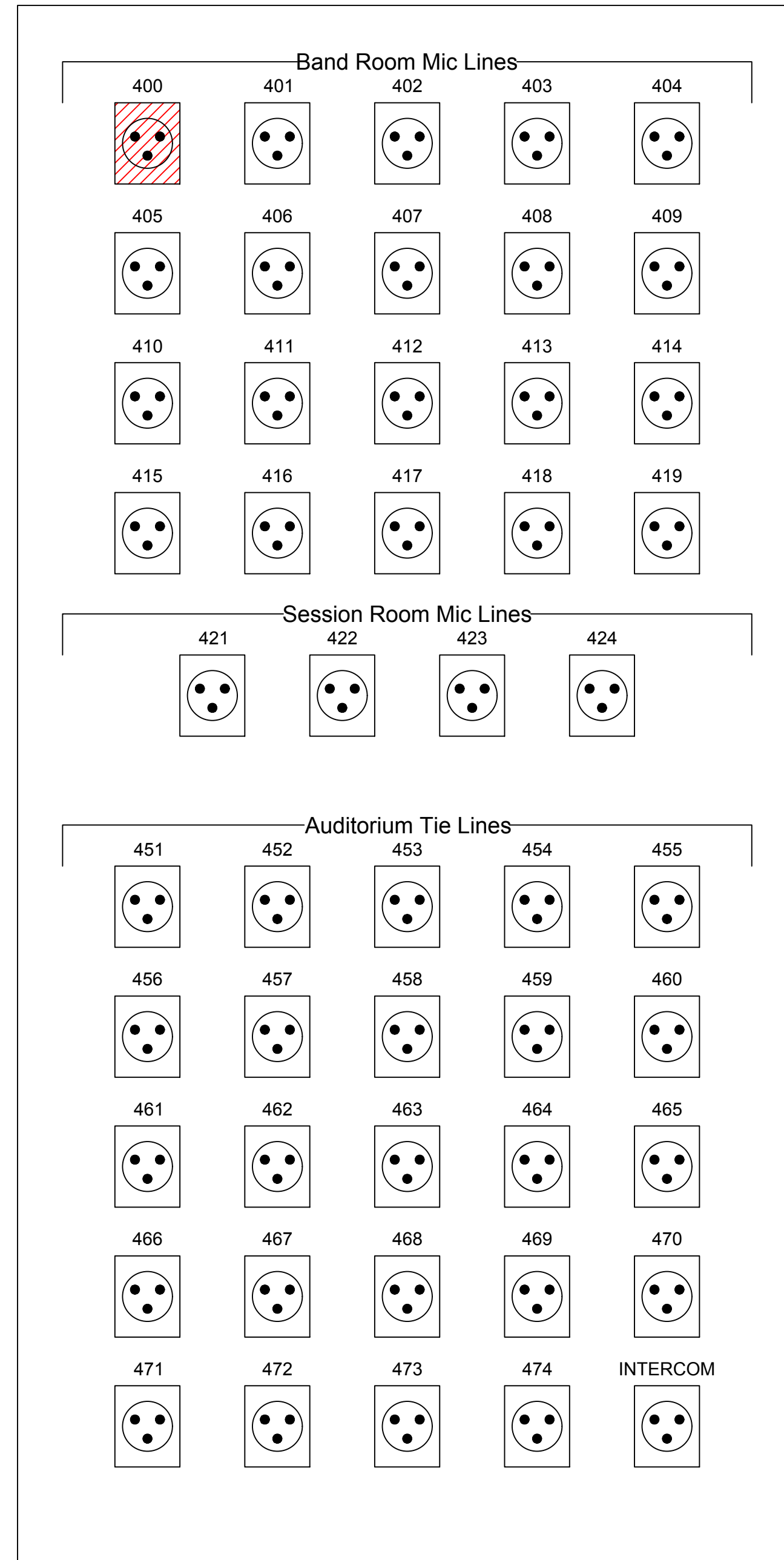
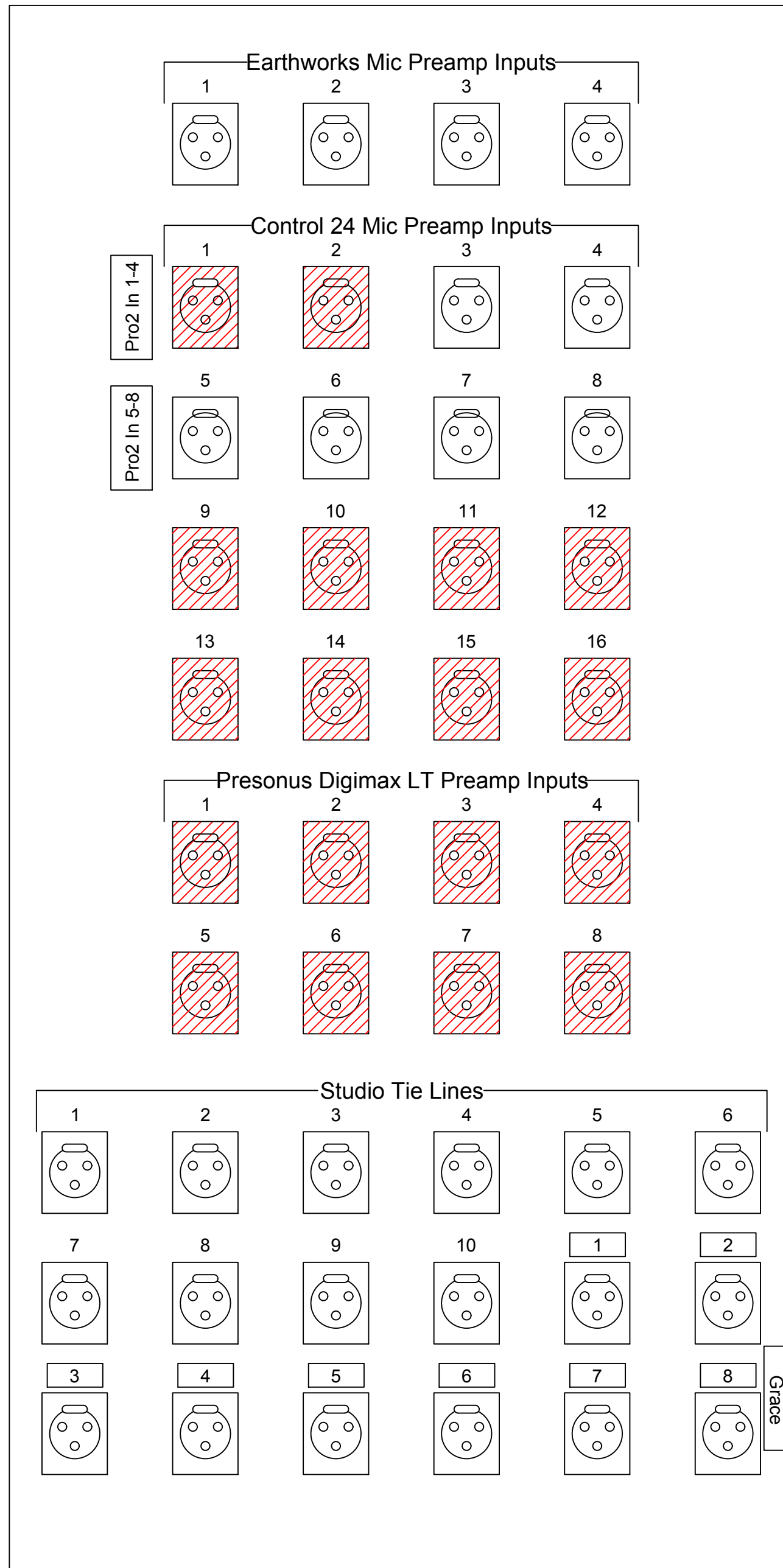
A

XLR Patch Panels

TT Patch Panels

XLR Patch Panel 1

XLR Patch Panel 2



B

B

C

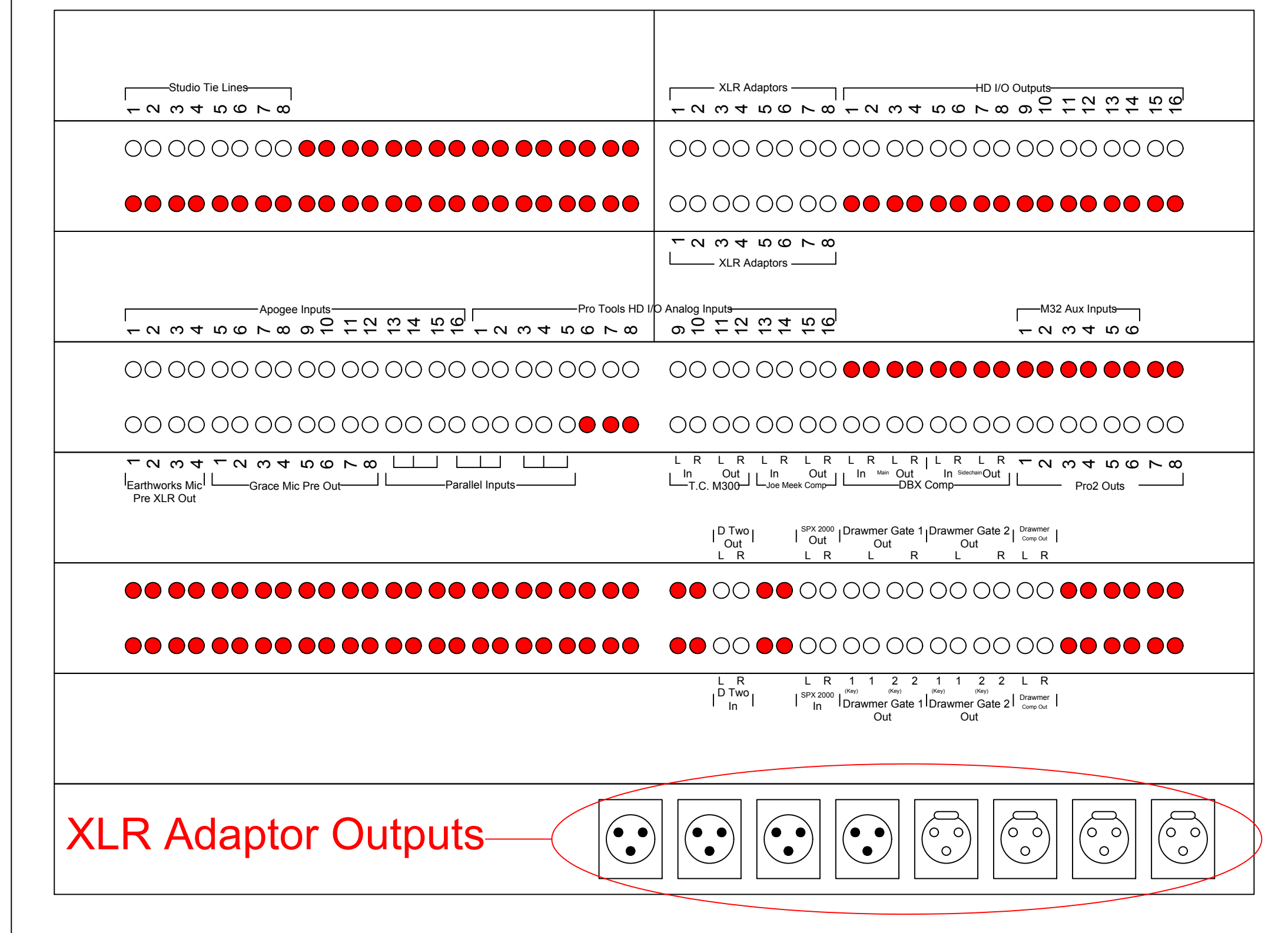
C

D

D

E

E



Rev #	Document Type	Page Size	Page Number
1	Analog Patch Drawing	D	4/5
R	Title	Rozsa 215 Recording Studio	
	Date	04-28-2019	Drafter Ryan Nicklas

1

2

3

4

5

6

7

8

9

1

2

3

4

5

6

7

8

9

A

A

B

B

C

C

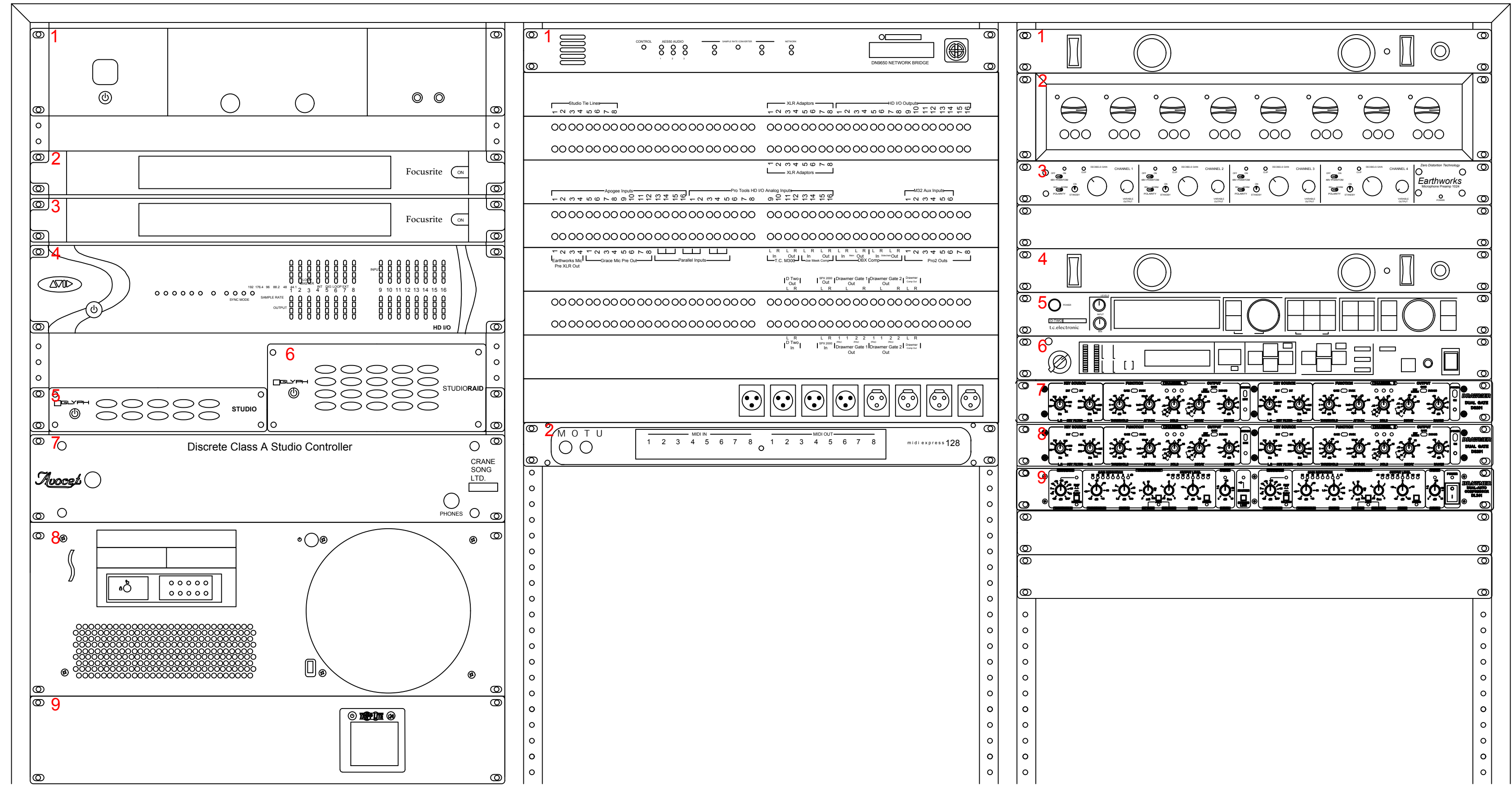
D

D

E

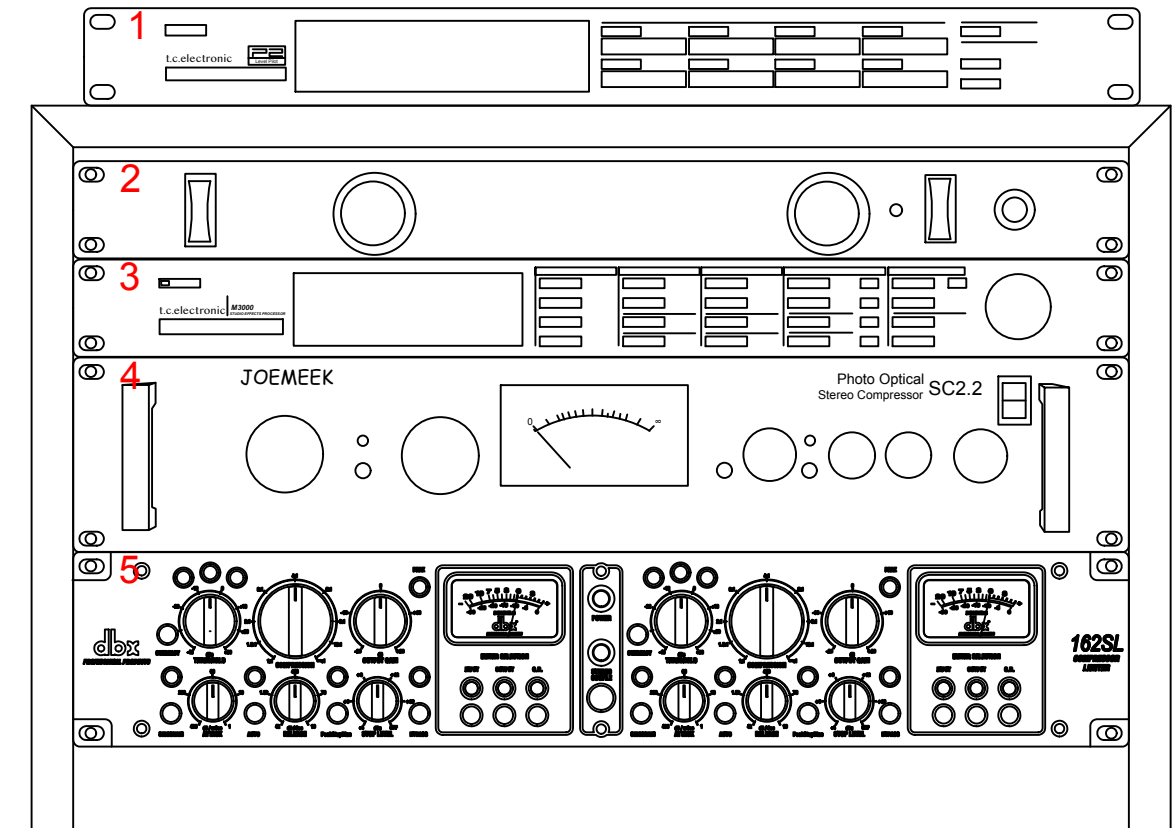
E

Rack Unit



- | | | |
|--|---|---------------------------------|
| 1. Apogee Symphony I/O (Analog Input Device) | 1. Klark Teknik DN9650 (Network Bridge) | 1. ETA PD8L (Power Conditioner) |
| 2. Focusrite Rednet HD32R (Digital Input Device) | 2. Motu Midi Express 128 (Midi Interface) | 2. Grace Design M801 (Preamp) |
| 3. Focusrite Rednet HD32R (Digital Input Device) | | 3. Earthworks 1042 (Preamp) |
| 4. Avid HD I/O (Analog Input Device) | | 4. ETA PD8L (Power Conditioner) |
| 5. Glyph Studio (Hard Drive Storage) | | 5. tc electronic D-Two (Delay) |
| 6. Glyph Studio RAID (Hard Drive Storage) | | 6. Yamaha SPX3000 (Reverb) |
| 7. Avocet Discrete Class A Studio Controller | | 7. Drawmer DS201 (Gate) |
| 8. Sonnetech Echo Express III (PCIe Hub) | | 8. Drawmer DS201 (Gate) |
| 9. Tripp Lite (UPS) | | 9. Drawmer DL421 (Compressor) |

Desktop Rack



- | |
|-----------------------------------|
| 1. tc electronic P2 (Limiter) |
| 2. ETA PD8L (Power Conditioner) |
| 3. tc electronic M3000 (Reverb) |
| 4. JoeMeek SC2.2 (Compressor) |
| 5. DBX 162SL (Compressor/Limiter) |

Rev #	Document Type	Page Size	Page Number
1	Rack Drawing	D	5/5
R	Title Rozsa 215 Recording Studio		
	Date 04-28-2019	Drafter Ryan Nicklas	

1

2

3

4

5

6

7

8

9